

remo²hbo



Robust and Repairable vital signs Monitoring for Mobile Hospital Boxes

Medical Devices for All

Dagmar Krefting, Sebastian Jünemann and the remo2hbo-Team

Emergency Response in a changing world

- Climate Change
- Armed Conflicts



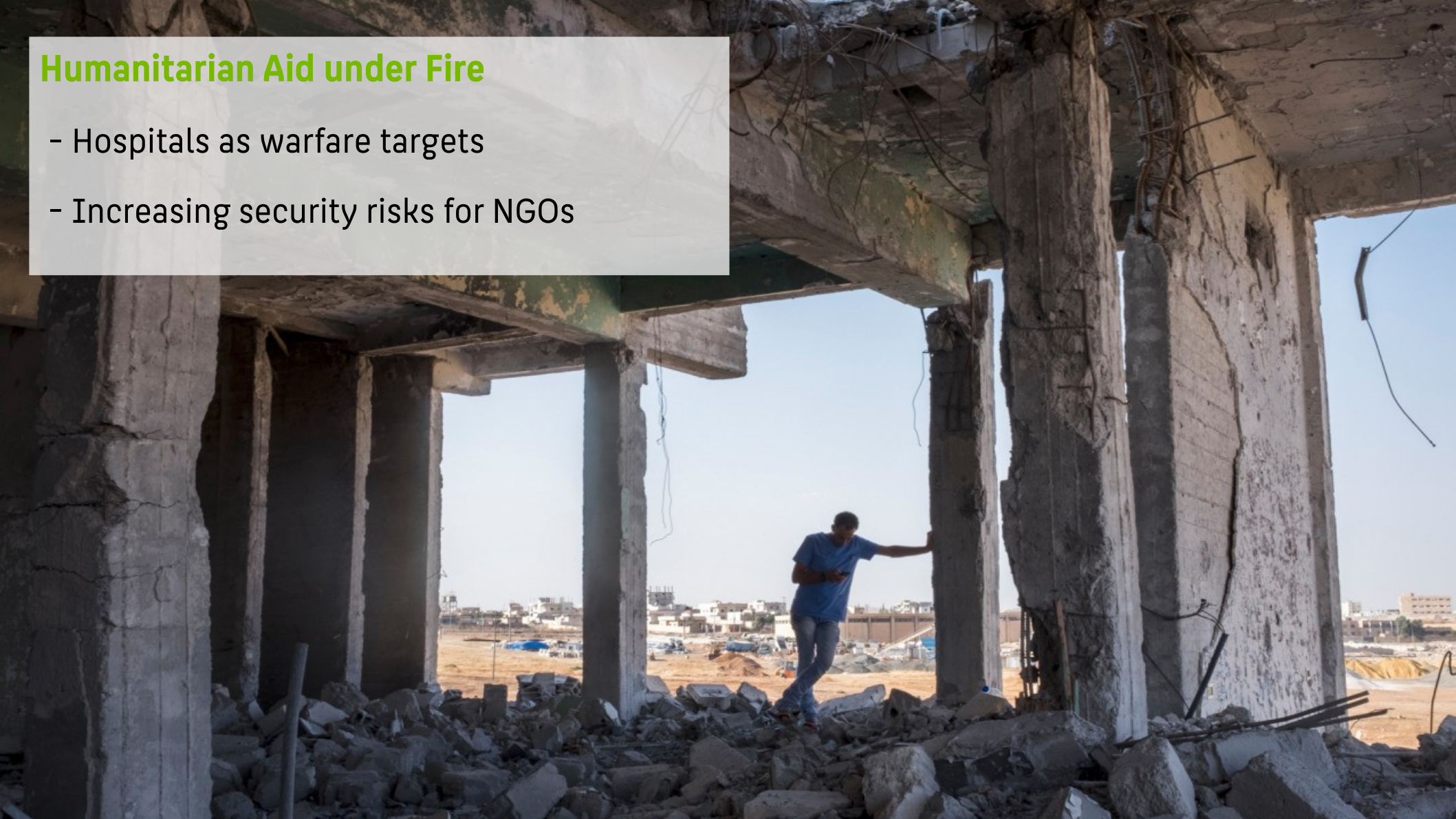
Traditional Humanitarian Actors

- Governmental Organizations
- Large international NGOs



Humanitarian Aid under Fire

- Hospitals as warfare targets
- Increasing security risks for NGOs



Small and local NGOs

- faster and less bureaucratic
- flexible response to local needs



Small and local NGOs

- help where the large NGOs are not present
- stay when media interest decreases



Specific requirements for small NGOs

- less infrastructure to rely on
- less financial capabilities



Example Mobile Hospital

- built and equipped by German NGO
- handed over to local NGO in Rojava



Standard Medical Devices

- reasonable prices
- built for full replacement in case of malfunction
- proprietary connectors for each sensor



Mobile Medical Devices

- special robust versions exist – neither repairable
- very expensive - not affordable for small NGOs



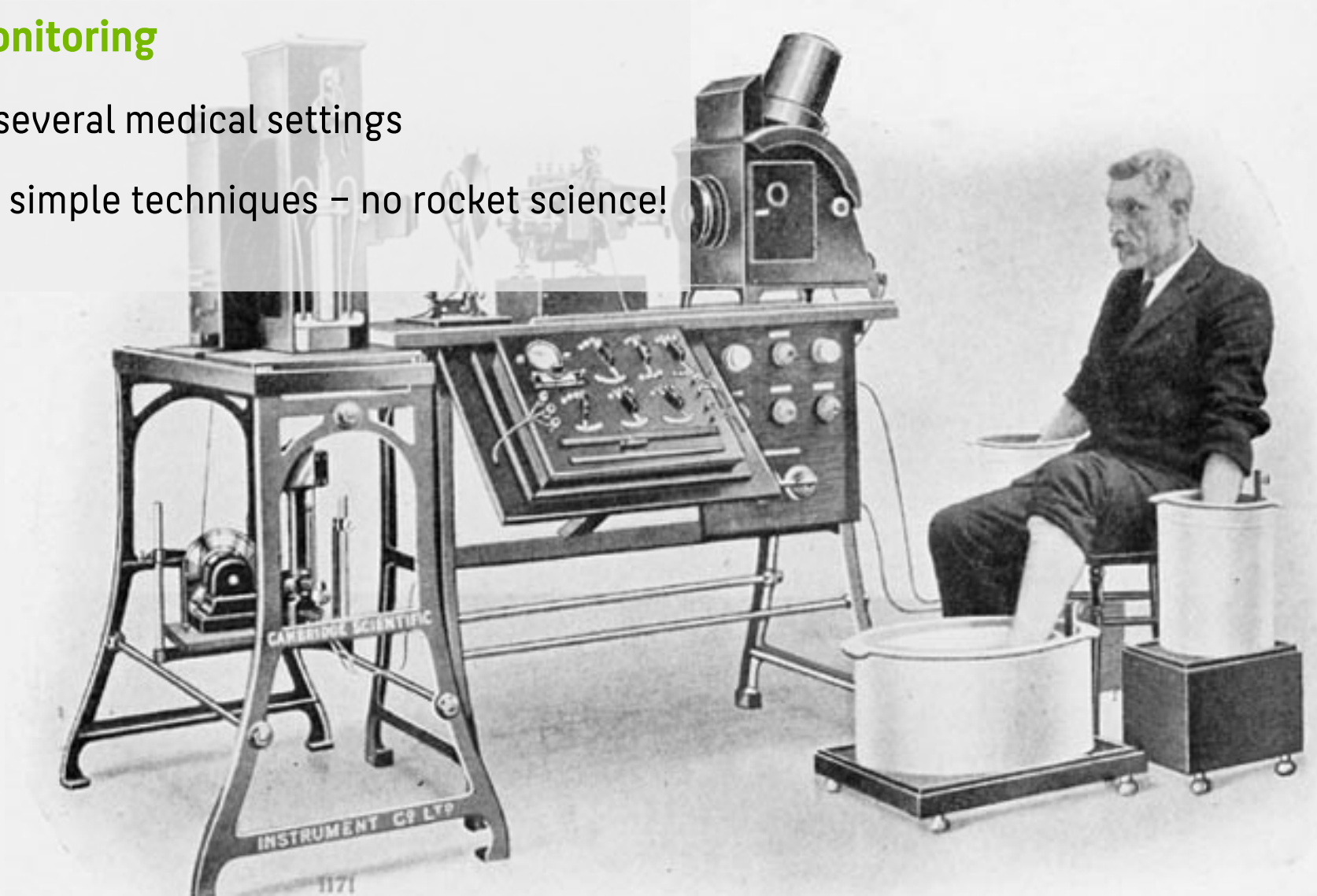
Remo2hbo approach

- robust against heat, dust and shocks
- repairable for non-experts with standard tools
- affordable and producible for everyone



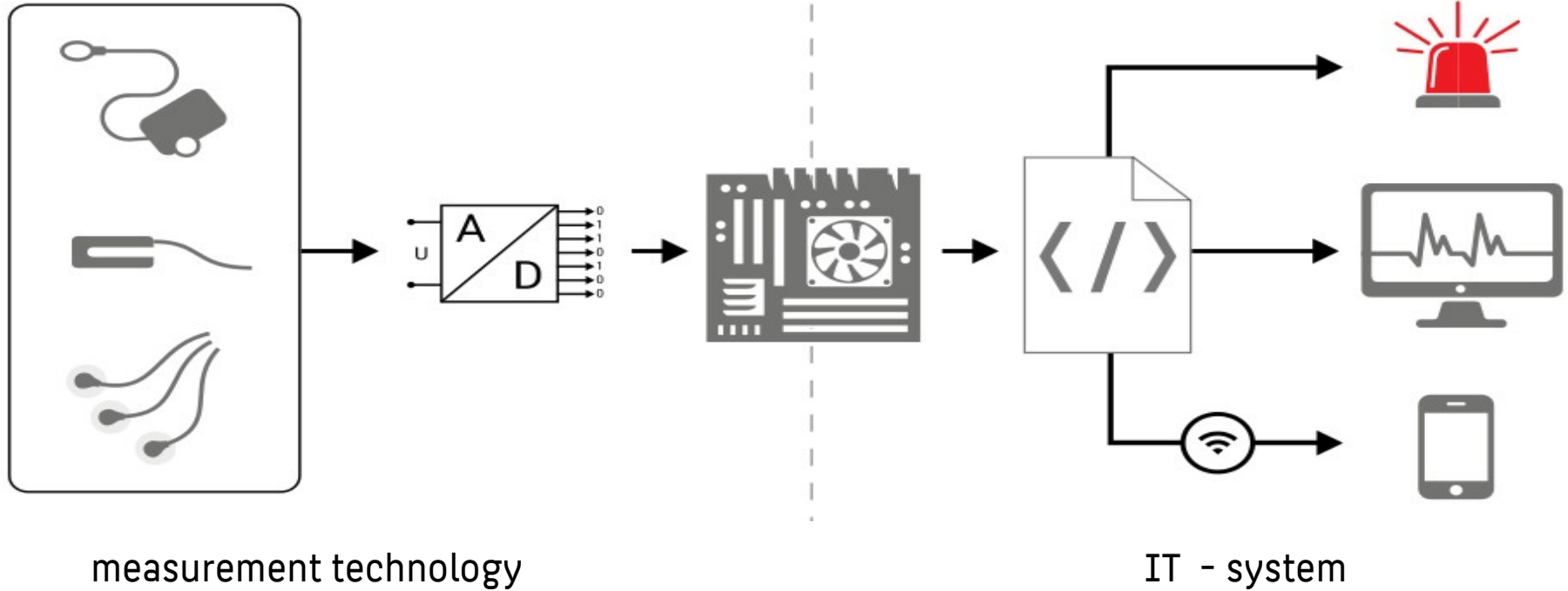
Vital sign monitoring

- required in several medical settings
- comparably simple techniques – no rocket science!



Vital sign monitoring

- generic architectural layout
- hard- and software open source and free



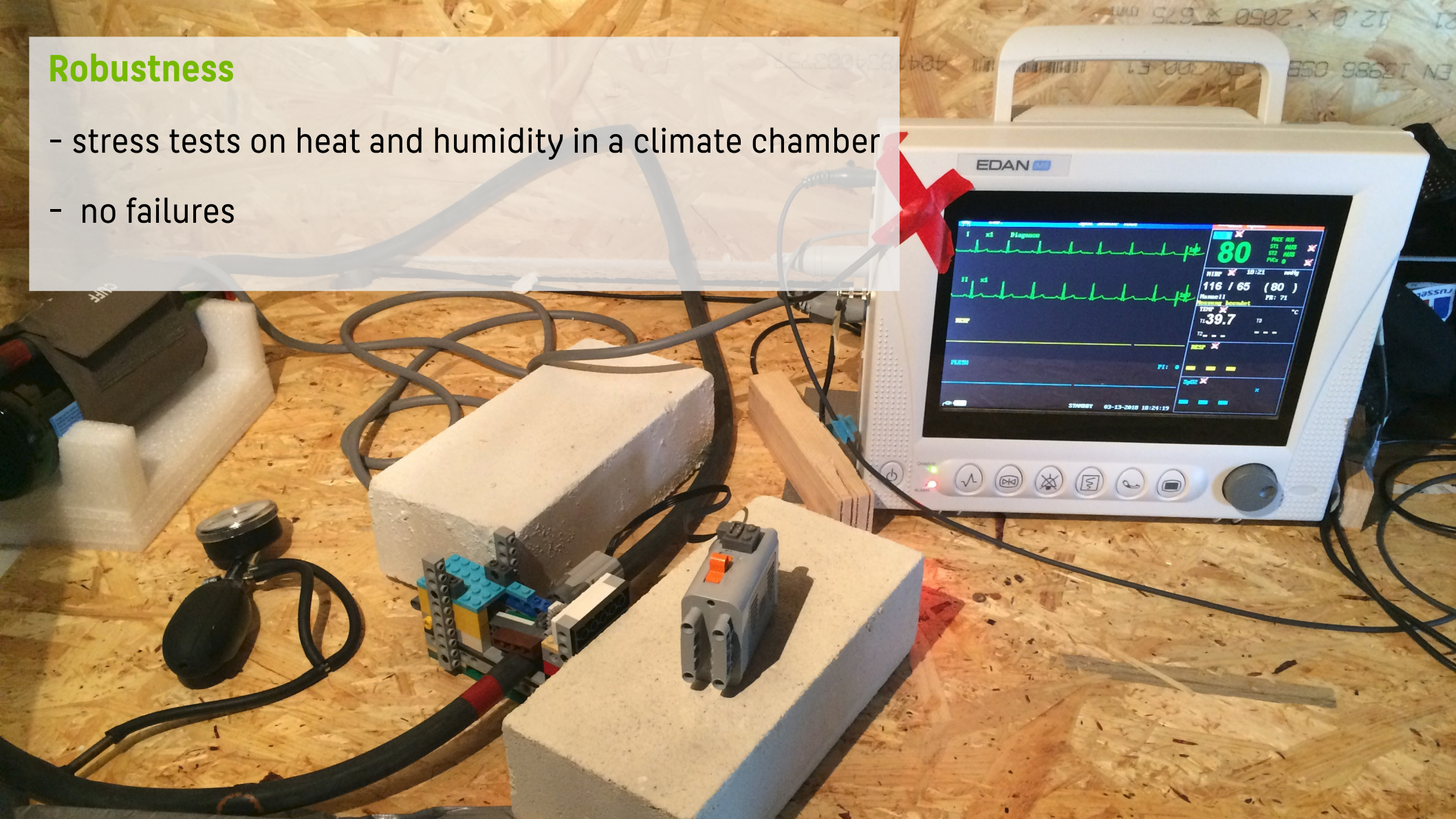
The team

- computer sciences, emergency response,
- medical physics, engineering



Robustness

- stress tests on heat and humidity in a climate chamber
- no failures



Robustness

- stress tests in a dust chamber
- weak point of standard devices



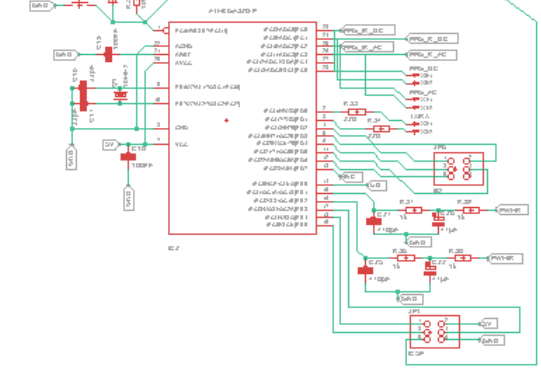
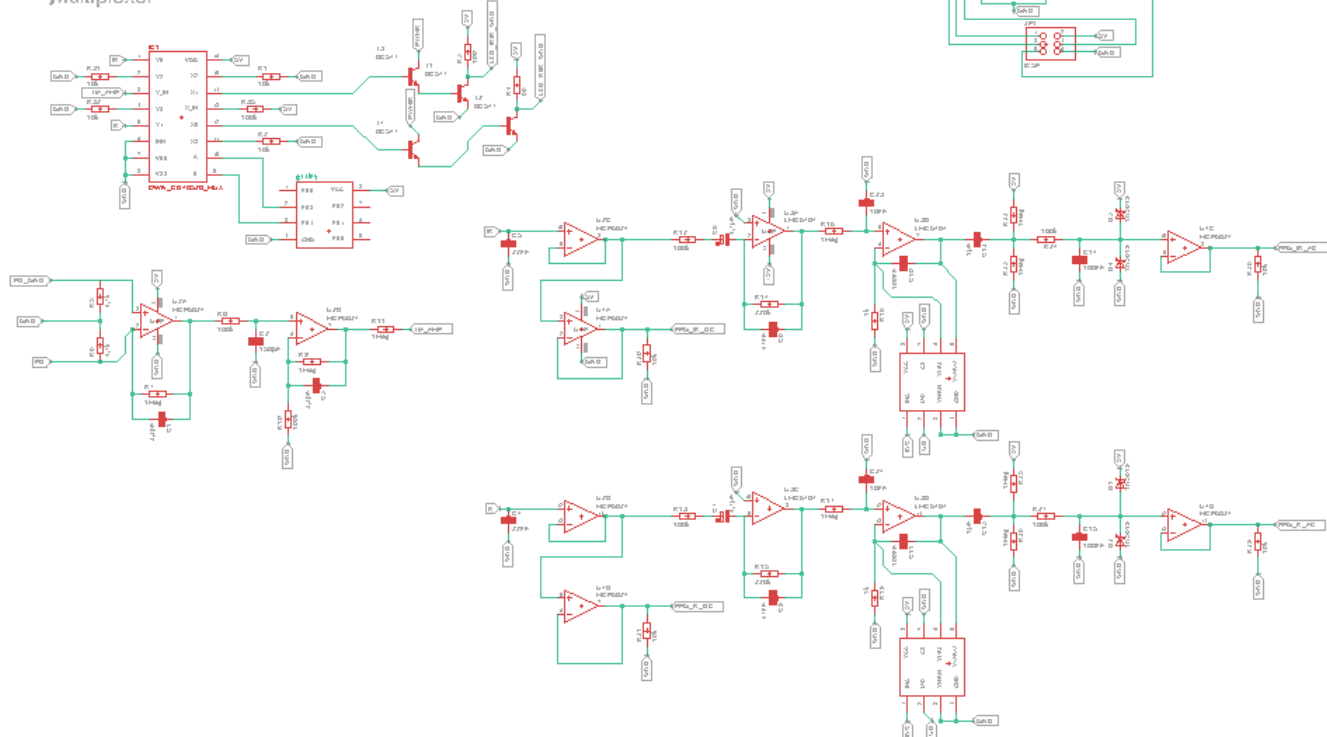
Sensor hardware

- Temperature – standard sensor
- ECG and SO2 – standard methods

Netz-Versorgung/Microcontroller

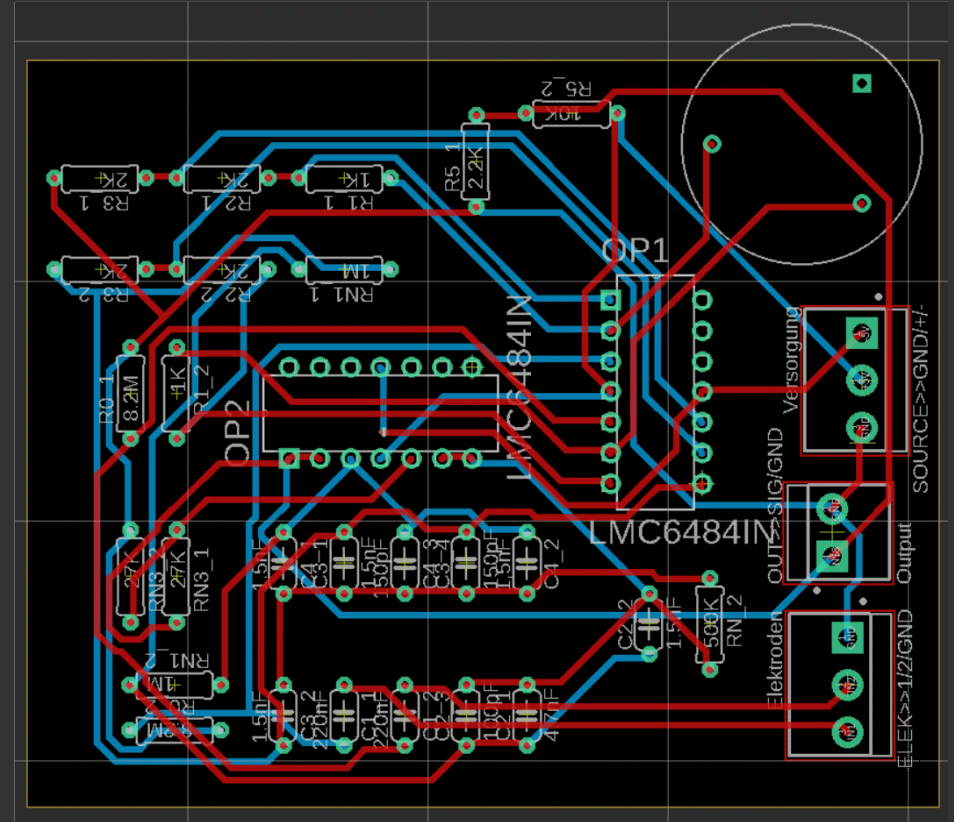
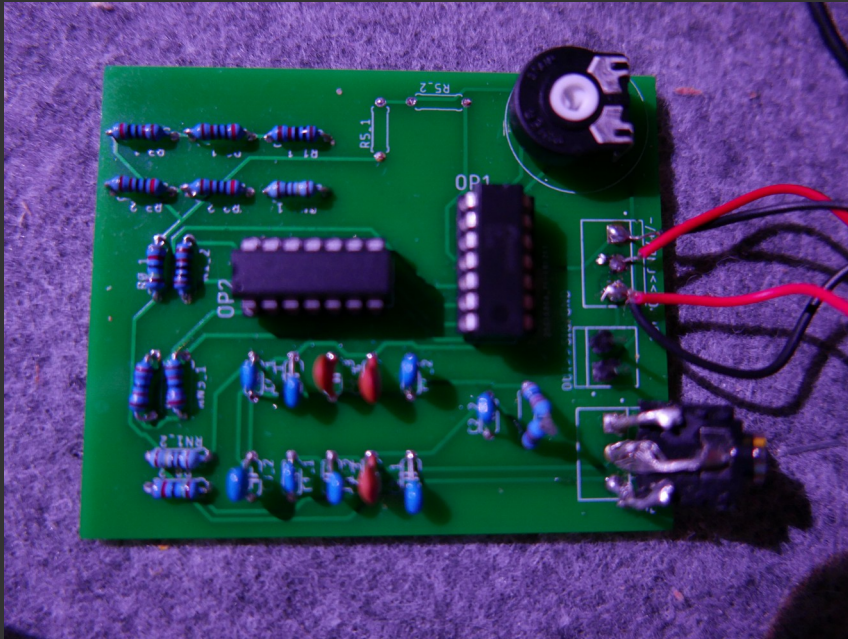


Multiplexer



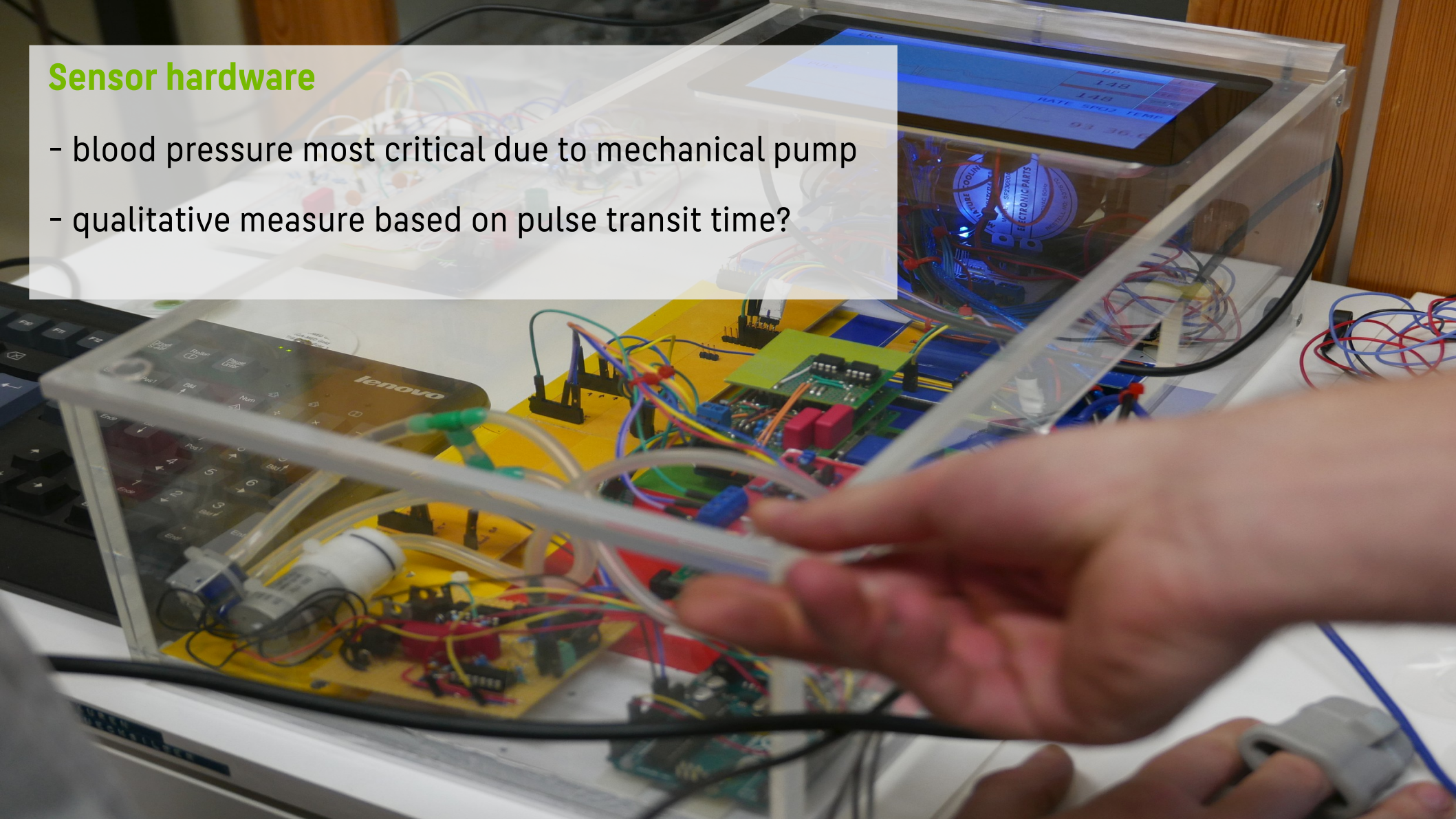
Sensor hardware

- Temperature – standard sensor
- ECG and SO2 – standard methods



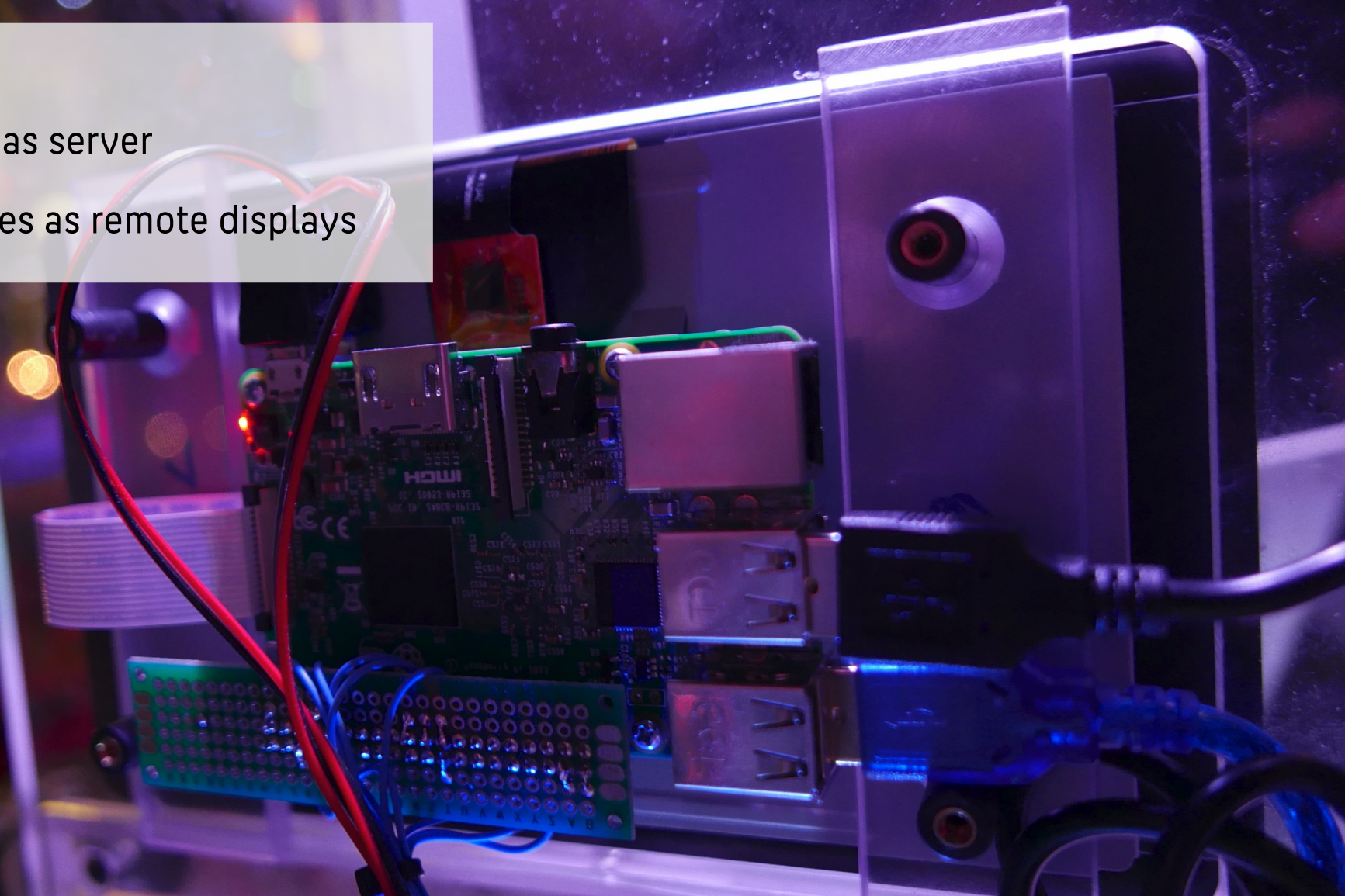
Sensor hardware

- blood pressure most critical due to mechanical pump
- qualitative measure based on pulse transit time?



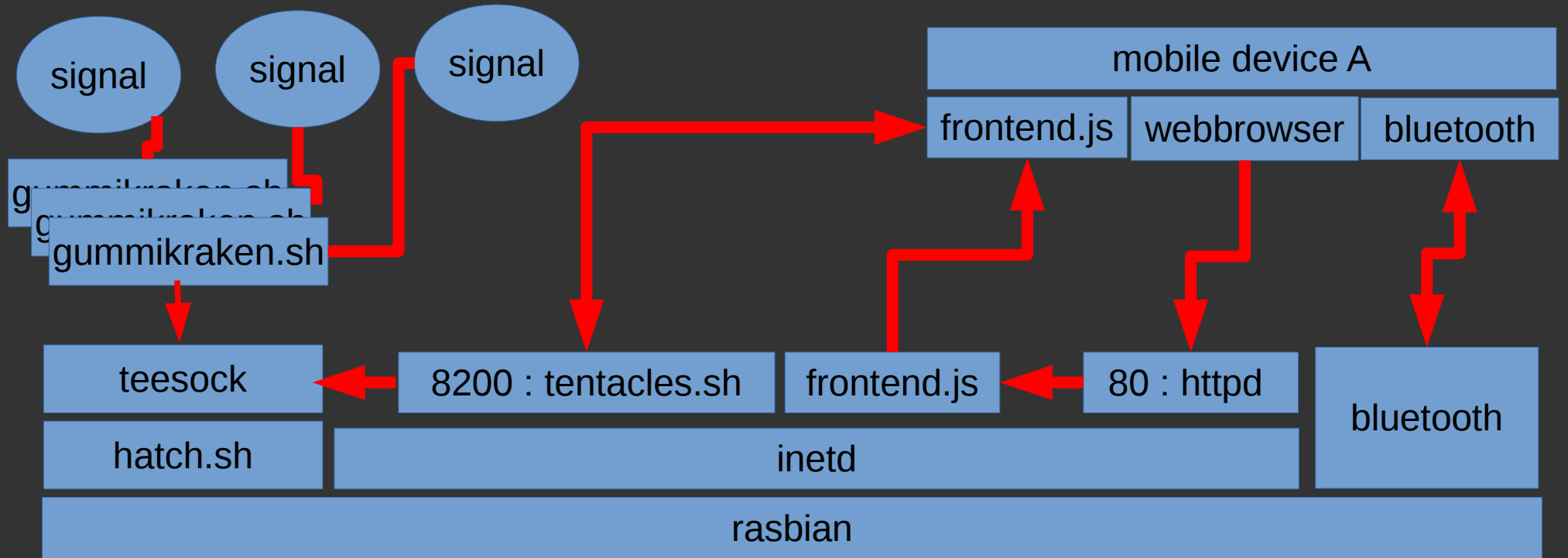
IT system

- Raspberry Pi as server
- mobile devices as remote displays



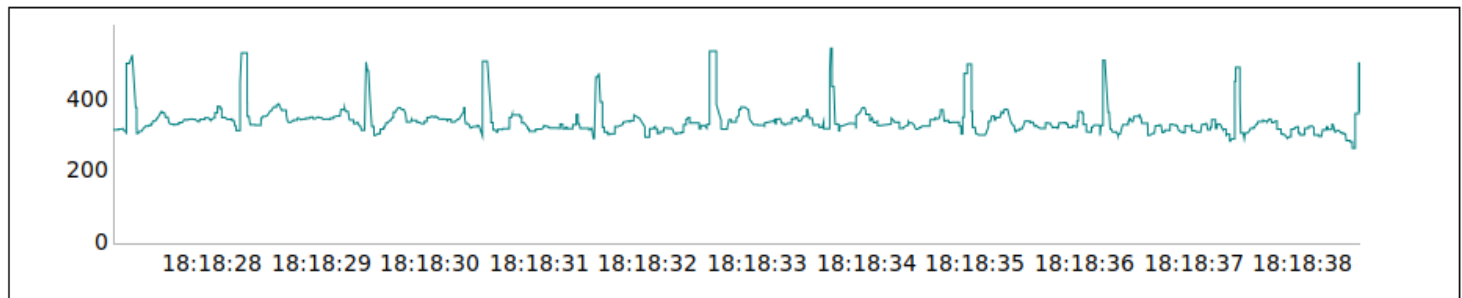
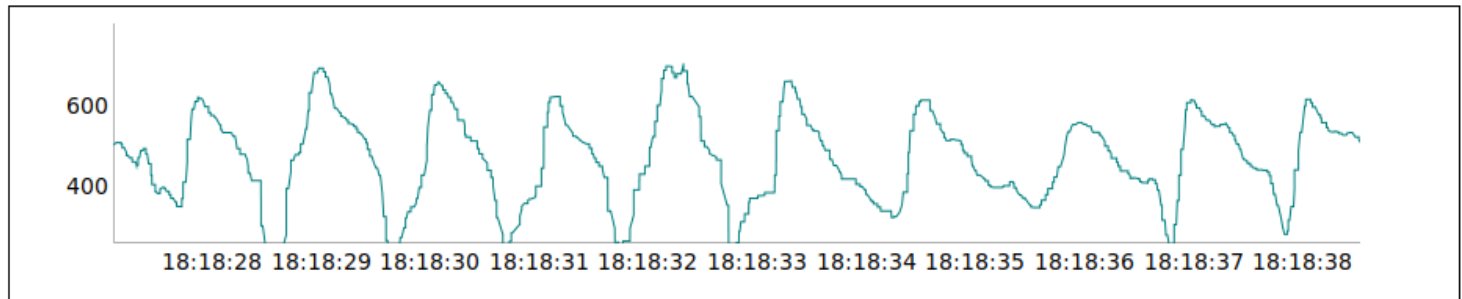
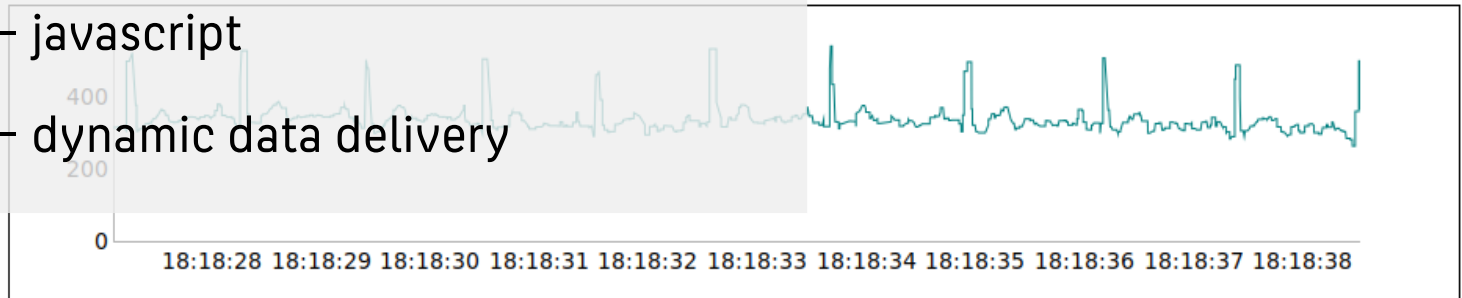
IT system software

- preconfigured raspi image
- bluetooth + inetd + busybox httpd



IT system frontend

- javascript
- dynamic data delivery



°C

365

HR

0

SO2

95

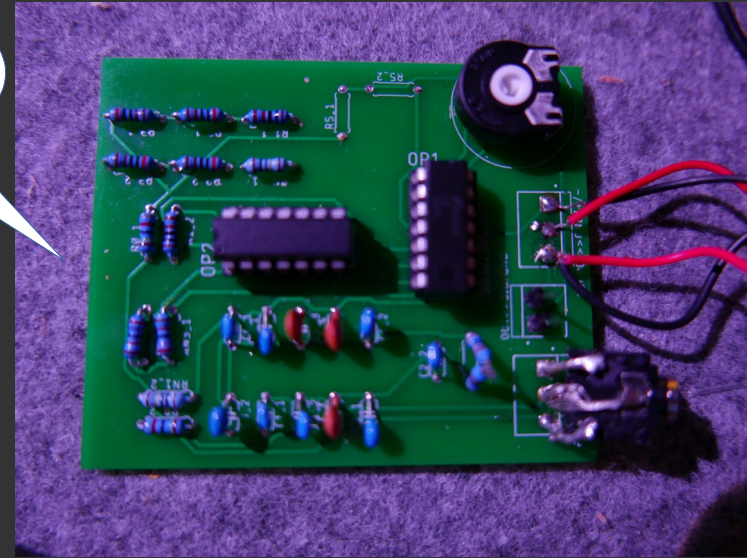
RR

148 / 148

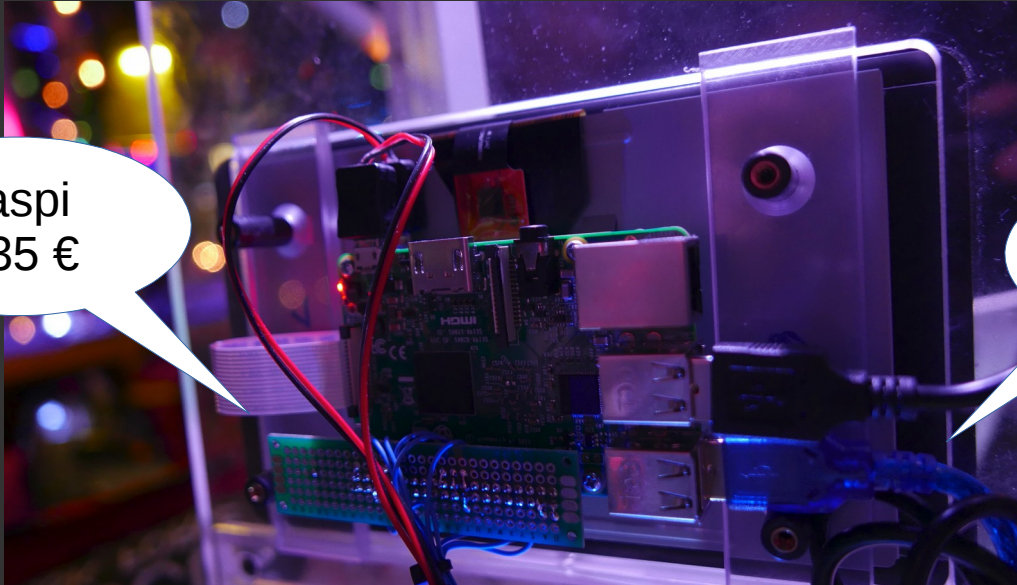
Financial Summary

- signal hardware: < 100 €
- IT system hardware: ~100 €
- mobile devices

ecg-system
12 €



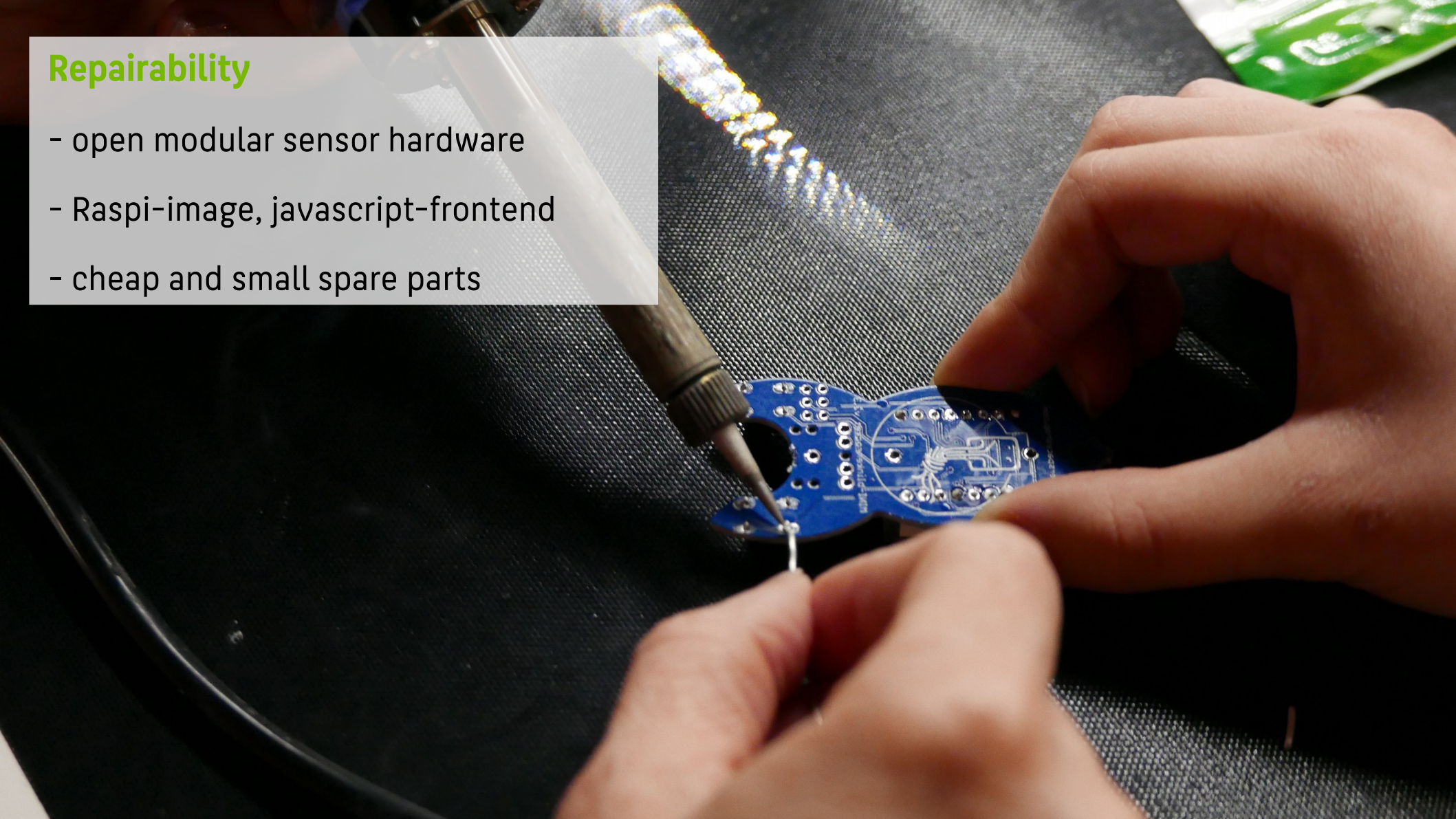
raspi
~35 €



display
~70 €

Repairability

- open modular sensor hardware
- Raspi-image, javascript-frontend
- cheap and small spare parts



Help needed – Get involved

- Test
- Compare
- Improve

remo2hbo.f4.htw-berlin.de